



PLATTLINE™ ZINC RIBBON ANODES

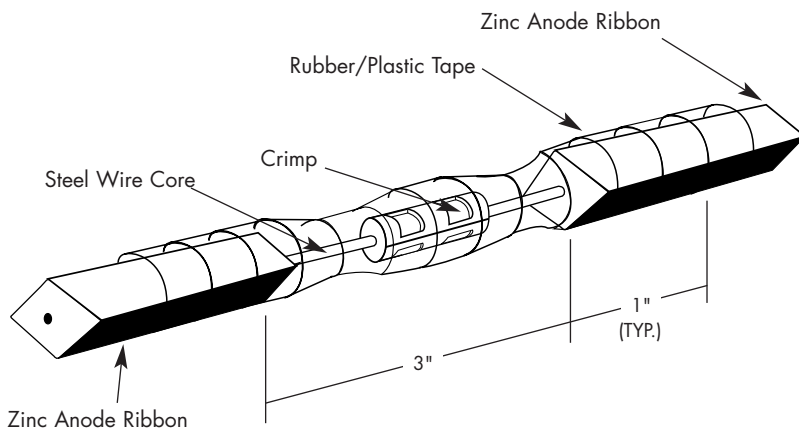
Technical Practices Document - No. 2 Connection Practices - Crimps

FOR PLATTLINE™ ZINC RIBBON ANODE CONNECTIONS ON:

- BURIED PIPELINES
- ABOVE-GROUND STORAGE TANKS
- AC MITIGATION SYSTEMS
- OTHER SYSTEMS

Figure 1

Typical Anode Ribbon Splice Connection



CONNECTION PROCEDURE

1. Remove 1 1/2" of zinc from steel wire core at ends of Plattline to be spliced.
2. Join two ends of steel wire cores together.
3. Insert copper compression connector into installation tool.
4. Insert core wire ends into copper compression connector.
5. Crimp according to instructions with installation tool.
6. Wrap exposed steel wire core, connector and 1" of Plattline (each end) with insulated splice kit or with two half-lapped layers of rubber tape and two half-lapped layers of plastic tape.

Plattline™ zinc ribbon anodes are used in a variety of applications. They are used for cathodic protection on buried pipelines, sacrificial cathodic protection on secondary bottoms on above-ground storage tanks, for A.C. mitigation on pipelines, as grounding mats for alternating current mitigation, and in other corrosion protection applications.

During installation procedures of Plattline™ zinc ribbon anodes in the above applications, it is necessary to connect Plattline™ to itself and to other main cables for full electrical interconnection of current flow. Connection procedures using copper compression connectors (crimps) are illustrated in this brochure for easy reference. Hopefully, this guide will prove to be helpful to management and field personnel involved with the application and installation of Plattline™ zinc ribbon anodes.





Plattline™ zinc ribbon anodes are manufactured with a steel wire core for electrical path continuity and for strength and handling of the product. This steel wire core is firmly bonded to the product.

To expose the steel wire core, melt the zinc off using a suitable torch which is capable of providing over 1000 F. (Reasonable care should be exercised to insure safe operation when melting any metal.) The steel wire core can be exposed using this procedure at the ends of a length of Plattline™ or in the middle of a run of Plattline™.

The exposed core is readily connected to itself as shown in Figure 1 and to another cable as shown in Figure 2. Procedures for each connection are given with the Figure.

Plattline™ zinc ribbon anodes come in four sizes as shown in Table 1. Each size of Plattline™ can be connected in the same fashion.

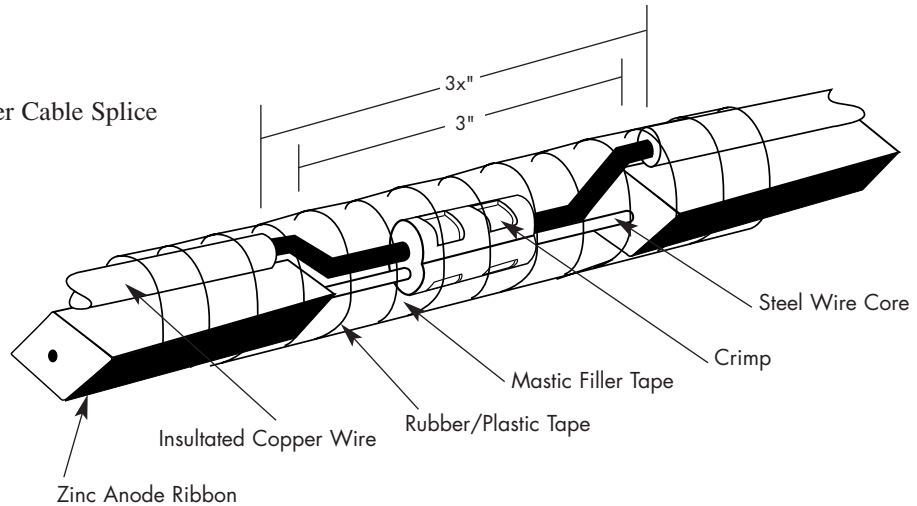


Specification Chart				
Product Size	Super	Plus	Standard	Small
Cross Section: Inches Millimeters	1" x 1-1/4" 25.4 x 31.75	5/8" x 7/8" 15.88 x 22.22	1/2" x 9/16" 12.7 x 14.28	11/32" x 13/32" 8.73 x 10.32
Weight/Foot, Pounds ¹ Weight/Kg., Meters	2.4 3.570	1.2 1.785	0.6 .8925	0.25 .372
Diameter of wire core ² Inches Millimeters	0.185 4.70	0.135 3.43	0.130 ³ 3.30	0.115 2.92
Standard Coil Length ⁴ Feet Meters	100 ⁺¹⁰ ₋₀ 30.5 ⁺³ ₋₀	200 ⁺²⁰ ₋₀ 61 ^{+6.1} ₋₀	500 ⁺³⁰ ₋₀ 152 ⁺⁹ ₋₀	1000 ⁺⁵⁰ ₋₀ 305 ⁺¹⁵ ₋₀
Standard Coil I.D. Inches Centimeters	36 91.44	36 91.44	12 30.5	12 30.5
Packaging	Steel-banded random-wound open coils	Steel-banded random-wound open coils	Wood Reels	Wood Reels

Plattline I is an alloyed zinc product and is generally used in seawater or brackish water systems. It meets the chemical requirements of MIL-A-18001K and ASTM B418-95a Type I.

Plattline II is a high purity product and generally used in underground and fresh water systems. It meets the chemical requirements of ASTM B418-95a Type II.

Figure 2
Detail of Anode-to-Header Cable Splice



CONNECTION PROCEDURE

1. Remove 3" of zinc from the steel core of Plattline.
2. Strip 3 1/2" of insulation from insulated copper cable without breaking copper strands.
3. Insert copper compression connector into jaws of installation tool.
4. Slip connector over both Plattline steel core and copper cable.
5. Crimp using recommended procedure with installation tool.
6. Wrap entire completed connection, including 1" of Plattline (each end) with insulated splice kit or with two half-lapped layers of rubber tape and two half-lapped layers of plastic tape.



The Platt Brothers & Company 2670 South Main St. P.O. Box 1030 Waterbury, CT 06721
T 800-752-8276 or 203-753-4194 Fax 203-753-9709 www.PlattBros.com email platzinc@snet.net

This document its contents and related information are submitted as suggestions with no warranty or other representation. Any use thereof is at the user's independent discretion. In connection therewith, Platt Bros. & Co. shall have no liability of any kind, grants no license and assumes no responsibility, for suitability, practicability, freedom of patent or other infringement, or conformation to codes, standards or regulations. The foregoing may be waived or modified only in writing by an authorized officer of The Platt Bros. & Co.